

## Dual Display ATI E2400 AMC Graphics + Storage Module



### Product Datasheet

PDSi's new dual display graphics + storage AMC module (AMC-E24D) offers high performance graphics and SATA onboard storage in a single mid-size AdvancedMC™ board. Using the ATI Radeon™ E2400 graphics controller from AMD (based on ATI's "M72" core), the module enables xTCA systems to take full advantage of AMD's advanced graphics technology and enterprise-grade SATA storage in a single slot.



The AMC-E24D module supports two independent high resolution display devices (one digital HDMI and one analog VGA) and features 128MB of on-chip GDDR3 video memory for fast, high quality 2D and 3D graphics rendering. Displays can have independent refresh rates, resolutions, and color controls, offering great flexibility.

In addition, the module carries a 2.5 inch hard drive (HDD) or solid state drive (SSD) with up to 320GB capacity for convenient local bootup and storage. Drives are accessible through AMC.3-compliant rear I/O. The Port Selector feature will convert SAS commands to SATA allowing the use of SATA drives with compute modules that only support SAS interfaces.

This carrier-grade module plugs into a standard AMC site on any compatible ATCA carrier - PDSi's ATCA-F1 blade, for example – or into a microTCA chassis. Key components are supported by embedded roadmaps. PDSi can also provide integration, extended warranty, repair and support services as needed.

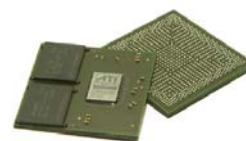
#### Key Features

- ATI Radeon E2400 graphics processor
- Superior 2D and 3D graphics acceleration
- 128MB on-chip GDDR3 video memory
- Dual independent high performance display interfaces
  - HDMI/DVI-D and analog VGA
- Dual integrated triple 10-bit DACs for dual RGB output
- Supports analog displays up to QXGA (2048 x 1536)
- HDMI Connection for 480p, 720p, and 1080i Output
- Onboard 2.5 inch SATA HDD or SSD
- AMC-compliant interfaces for high bandwidth
- Extended availability assured
- RoHS compliant

#### Convenient xTCA GUI Support

The AMC-E24D dual display graphics module is ideal for xTCA applications requiring GUI output and standalone operation. For ATCA, it provides the video support typically lacking on server blades, while affording sufficient local storage for booting any OS.

Suitable for Military, Aerospace, Industrial Control, Instrumentation, Telecom and Medical Applications.



*Powered by the ATI  
Radeon E2400 GPU*

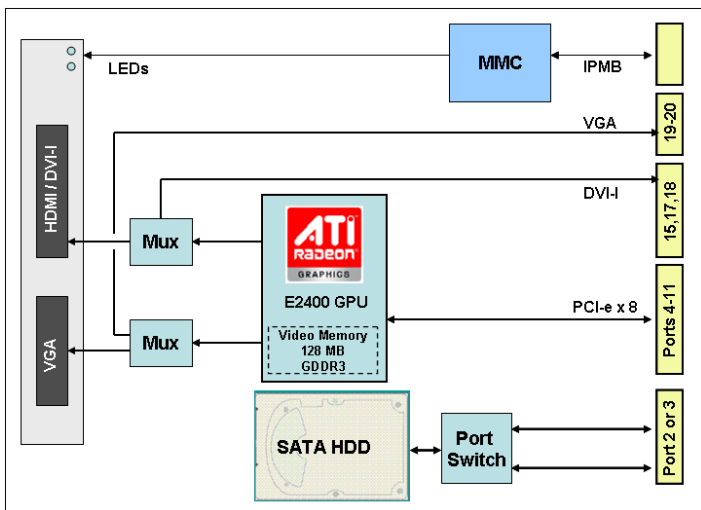
<b>GPU</b>	ATI Radeon™ E2400 high performance 2D and 3D graphics controller (M72-CSP128) featuring: <ul style="list-style-type: none"> <li>• ATI Avivo HD Video and Display architecture</li> <li>• Unified Superscalar Shader architecture</li> <li>• DirectX 10 Shader Model support</li> <li>• Open GL 2.0 support</li> </ul>
<b>Clock</b>	Scalable up to 600 MHz (graphics processor)
<b>Memory</b>	128 MB on-chip GDDR3 video memory
<b>Display Support</b>	Supports 2 displays with independent resolutions, refresh rates, color controls: <ul style="list-style-type: none"> <li>• HDMI - up to 1080i - includes 5.1 Dolby Audio</li> <li>• VGA - up to QXGA (2048 x1536)</li> </ul>
<b>Color Depth</b>	True 32-bit color. Dithering gives 32-bit quality on 18- and 24- bit displays
<b>Storage</b>	2.5 inch, 9.5mm SATA drives offering: <ul style="list-style-type: none"> <li>- Enhanced Availability HDDs up to 320GB</li> <li>- Mainstream &amp; Extreme Intel SSDs up to 160GB &amp; 64GB</li> <li>- SAS to SATA converter: Allows SATA drives to interface with SAS commands</li> <li>- Single port SATA operation – AMC Port 2 or Port 3</li> <li>- Compatible with RAID array applications</li> </ul>

**Front Panel**

<b>HDMI</b>	1 – HDMI port
<b>VGA</b>	1- HD-15 pin D-sub Socket
<b>LEDs</b>	OK, H/S, OOS

**AMC Rear Interfaces**

<b>PCI-e</b>	PCIe x 8 interface, Ports 4-11(AMC .1) Auto negotiates to x1, x2, x4, or x8
<b>SATA</b>	1 channel, Port 2 or 3
<b>Video</b>	VGA and DVI video rear I/O Ports 15, 17, 18: HDMI/DVI interface Ports 19, 20: VGA Interface
<b>Power</b>	12V payload, 24W max
<b>Power Management</b>	APM, ACPI support ATI PowerPlay™ 7.0 – optimizes performance and power consumption.
<b>Compliance</b>	AMC.0, AMC.1, AMC.3 RoHS Directive 2002/95/EC
<b>Operating Systems</b>	Linux, Windows
<b>FormFactor/ Dimensions</b>	Single-width, Mid-size AMC 73.5mm x 180.6mm x 28.9mm
<b>Temperature &amp; Humidity</b>	Operation : 0 to 55 °C 5% - 90% non-condensing Non-operating: -20 to 80°C (-4 to 176°F)



**Ordering Information**

P/N: **AMC - E24D - xxx - 0** *Dual Display Video + Storage AMC Module*

**Storage Capacity / Type**

<b>000</b>	none
<b>HE1</b>	2.5", 160GB, SATA-II, 7.2K, Ext. Availability ("EA")
<b>HE2</b>	2.5", 250GB, SATA-II, 7.2K, Ext. Availability ("EA")
<b>HE3</b>	2.5", 320GB, SATA-II, 7.2K, Ext. Availability ("EA")
<b>SM1</b>	2.5", 80GB SSD, Intel X25-M Mainstream
<b>SM2</b>	2.5", 160GB SSD, Intel X25-M Mainstream
<b>SE1</b>	2.5", 32GB SSD, Intel X25-E Extreme
<b>SE2</b>	2.5", 64GB SSD, Intel X25-E Extreme

**AMC - E24D - CLAMP** *Cable Clamp Accessory for HDMI connector*